

WDIV96-E and CDIV96-E Active/Power factor Meters

E-line power and power factor meters are electronic meters intended for measuring active in single phase or three-phase networks, with balanced or unbalanced load. The accuracy class is 1.5.



Order information

Customer specific products*

Please create the ordering information by combining one parameter out of each column.

WDIV96-E

Voltage	I or U-ratio of transformer	Scale	Frequency	Wiring Diagram**	Auxiliary supply
Please specify the requested voltage	Please specify the ratio	Please specify the requested scale value	50Hz 60Hz	Please specify the wiring diagram	Please specify the auxiliary supply (if present)

CDIV96-E

Voltage (V)	Current (A)	Scale	Wiring Diagram**
Please specify the requested voltage	Please specify the current	cap. 0,5 - 1 - 0,5 ind. cap. 0,7 - 1 - 0,3 ind. cap. 1 - 0 ind.	Please specify the wiring diagram

For example:

WDIV96-E, 4u, 230/400V, 500/5A, -35-0-350kW, 50Hz

CDIV96-E, 3b, 400V, 5A, cap 0,5-1-0,5 ind

* On request the WDIV96-E and CDIV96-E can be delivered as ship version or with extra markings on the scale. The WDIV96-E can also be delivered as IP55.

Please contact our sales department for the possibilities.

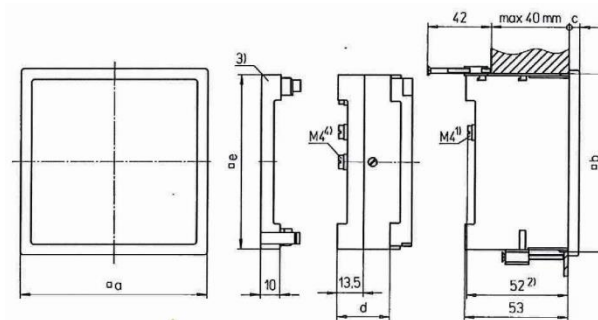
** See next page for the possible wiring diagrams.

Technical specifications

Environmental conditions	
Location:	Indoor use
Reference temperature range:	+18°C .. +28°C
Nominal temperature range:	-25°C .. +55°C
Relative humidity:	5% .. 80%, non condensing
Protection degree:	Case IP52, terminal contacts IP20***
General Specifications	
Standard:	IEC 60051-3
Accuracy class:	1,5
Voltage input	
Nominal voltage (Un) (L-N/L-L)*:	57,7/100Vac, 63,5/110V, 230/400Vac
Power consumption:	<0,1VA per phase
Overload capacity:	1,5xUn, 2xUn/10s
Current input	
Nominal current (In):	-/1A or -/5A
Power consumption:	<0,1VA per phase
Overload capacity:	3xIn, 25xIn/3s, 50xIn/1s
Frequency	
Nominal frequency:	50 / 60Hz
Measuring range:	45 / 65Hz

*** IP20 when included protection cover is mounted.

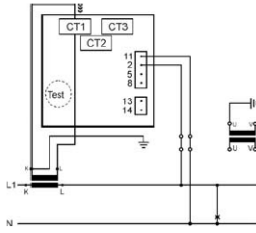
Dimensions



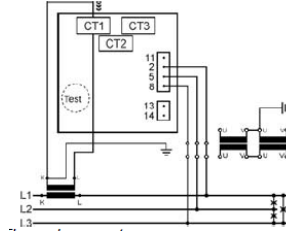
Model	a(mm)	b(mm)	c(mm)	d (mm)	e(mm)
WDIV96-E	96	92 ^{+0,8}	5,5	27,3	90
CDIV96-E	96	92 ^{+0,8}	5,5	27,3	90



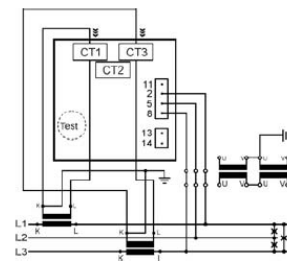
Wiring Diagram



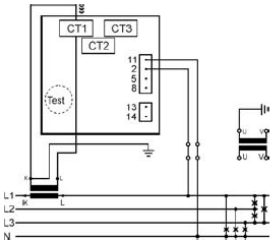
Single phase system (1b)



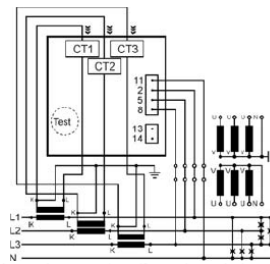
Three phase system
(three wire balanced - 3b)



Three phase system
(three wire unbalanced - 3u)



Three phase system
(four wire balanced - 4b)



Three phase system
(four wire unbalanced - 4u)