

## UGE C1 – Single Pole Voltage Transformer

The UGE C1 is used for measurement and protection in applications, especially in medium-voltage switchgears. The single pole indoor voltage transformer can be used up to 17,5kV. The voltage transformer is maintenance-free and mountable in any position



### Ordering Specifications\*

Range	Ratio	Winding 1	Winding 2	Article Number
12kV	11.000:√3 / 110:√3 / 110:3	0-20VA cl 0,2	60VA 3P	6U2110
12kV	10.000:√3 / 100:√3 / 100:3	0-20VA cl 0,2	60VA 3P	6U2011
12kV	11.000:√3 / 100:√3 / 100:3	0-20VA cl 0,2	60VA 3P	6U2012
12kV	10.000:√3 / 110:√3 / 110:3	0-20VA cl 0,2	60VA 3P	6U2112
12kV	2 selectable ranges 11000:√3 // 110:√3 // 110:3 V or 10000:√3 // 100:√3 // 100:3 V	0-20VA cl 0,2 0-15VA cl 0,2	60VA 3P 60VA 3P	6V2901

\* To order the customized UGE C1 we require several specifications. In the table 'technical specifications' the possibilities per specification are shown.

#### Mandatory

- Rated primary voltage
- Rated secondary voltage
- Rated output
- Accuracy class
- Frequency

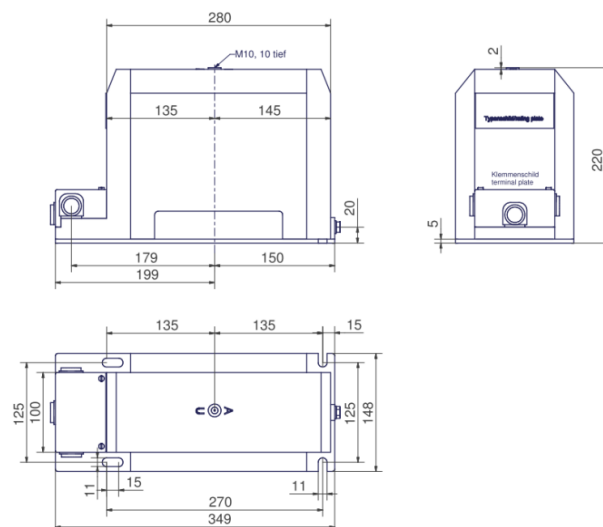
#### Optional

- Other relevant requirements

### Technical Specifications

<b>Environmental conditions</b>	
This product is designed to be safe under the following conditions:	
Location:	Indoor use
Ambient air temperature:	-5°C .. +40°C; other temperatures on request
Storage and transport temperature:	-25°C .. +50°C
Relative humidity:	5% .. 95%, non condensing
Altitude:	Max. 1000m above NN; at >1000m data required
Protection degree (secondary terminal):	IP20
<b>Application conditions</b>	
Standard:	IEC 61869-3/IEEE C57.13; etc.
IEC 61768-3 specification:	
Rated thermal limiting output (Sth):	500VA measuring winding in total 100VA residual winding
Rated voltage factor:	1,9 x Un for 8h; 1,2 x Un continuous
Rated insulation level:	17,5/38/95kV
Rated frequency:	50/60Hz
Class of insulation:	E
Rated primary voltage:	2/√3kV – 15,4/√3kV
Rated secondary voltage:	100/√3V or 110/√3V; other options available on request
Rated output:	As required. For example 10, 15 or 30VA
Accuracy class:	As required. For example 0,2, 3P
Primary connection:	M10 (20Nm)
Secondary terminal:	Screw terminals M5 (max. 2,5Nm)

### Dimensions





mastering electricity  
worldwide

## Wiring Diagram IEC 61869-3 e.g.

