

Current Transformer for Self Powered Relay, SVA100

The low power switchgear current transformers in SVA100 housing is specially designed for application in medium voltage installations as Ring Main Units (RMU). This solid, cast resin transformer is cost effective and very reliable. For many years ELEQ develops and produces these protection transformers for the switchgear market. The transformers are specially designed for dynamic loads and applicable for the so called self powered relays like Woodward SEG, WIC1 and others.



Technical Specifications*

Location:	Indoor use
Protection degree:	IP20
Rated frequency:	50/60Hz
Class of insulation:	E (120°C)
Primary window suitable for cable:	Maximum Ø50mm
Material:	PU & PA6.6
Secondary terminal:	6mm ² solid / 4mm ² stranded Screw connection
Test winding:	0,288A nom
Burden:	Contact ELEQ for details

*The given specification is valid in combination with a self powered relay like the WIC1

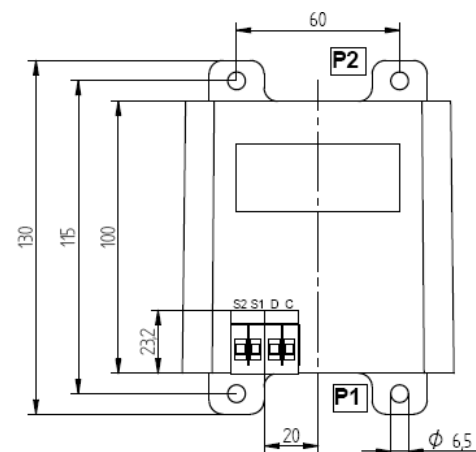
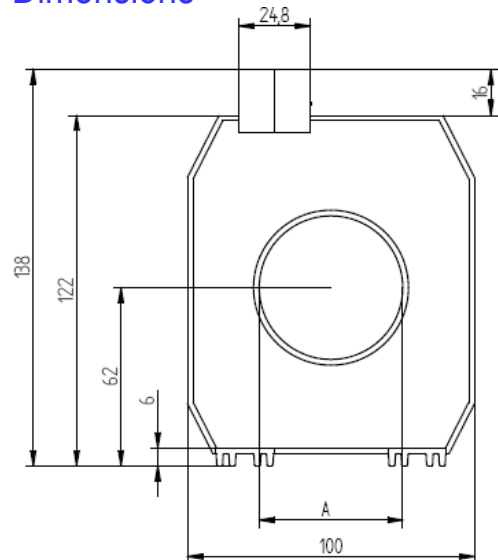
Ordering Specifications

Current Range	Class*	Cable diameter	Article number
8-32A	5P80	45mm	4G2401
16-56A	10P80	50mm	4G2201N
32-112A	5P80	50mm	4G2202N
64-224A	5P80	50mm	4G2203N
128-448A	5P80	50mm	4G2204N
16-56A	5P80	50mm	4G2205N
256-896	5P80	50mm	62200**

* Contact ELEQ for further details about specifications and dimensions

** Different shape drawing on request

Dimensions



Wiring Diagram

