

## MT406 – Universal Measurement Transducer

The MT406 is a measurement transducer for measuring and monitoring AC voltage. The MT406 requires no auxiliary supply. The accuracy of the MT406 is 0.5.

The basic varieties are programmed and are in stock at ELEQ, all other models are quickly available per customer specification.



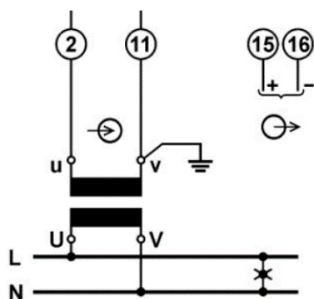
### Technical Specifications

Input:	
Nominal voltage:	62,5..600V in normalized ranges
Nominal frequency:	50/60
Overload:	1,2xUn continue 2xUn / 10 second
Power consumption:	< 0,1VA
Output:	
Current:	0-20mA
Load voltage:	10V
Current limitation:	<30mA
Accuracy class:	0.5  (IEC 60688)
Ripple:	<1%
Response time:	0-90% & 100-10% <300ms
Safety:	
Impulse test:	5kV 1,2/50µs
Insulation test:	4kV 50Hz 1min.
Housing protection:	IP20
EMC:	EN61326-1
Usage group:	III (IEC60688)
Pollution degree:	II (EN61010-1)

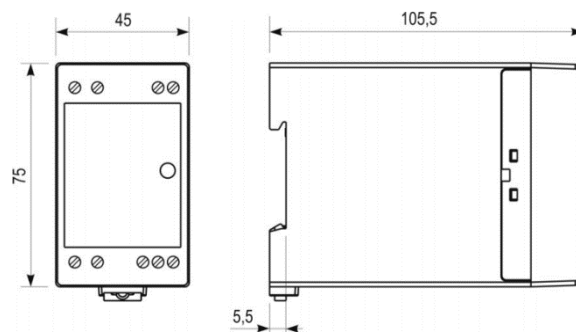
### Ordering Specifications

Measuring range	Articlenumber
0-250V	2R5101
0-500V	2R5102

### Wiring Diagram



### Dimensions



For all current data about the MT416, we refer you to [www.iskra.eu](http://www.iskra.eu)

