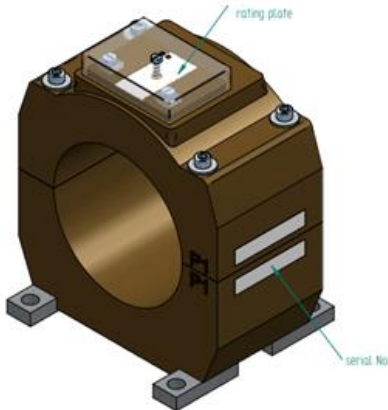


GST170 – Split Core Current Transformer for Earth-fault

The GST 170 are cast-resin insulated current transformers for indoor applications. They are suitable to put on cables or bus-bars. The cast resin insulated indoor split core type current transformer can be used up to 1,2 kV and is maintenance-free and mountable according the operation instruction. In medium voltage and high voltage switchgear, an insulated conductor must be used which suits the rated insulation levels.



Ordering Specifications

For the customized design of your ELEQ GST 170 Current Transformer the following information is required:

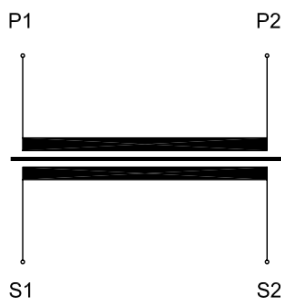
Mandatory

- Rated primary current
- Rated secondary current
- Rated output
- Accuracy class
- Frequency

Optional

- Other relevant requirements

Wiring diagram IEC 61869-2



Technical specifications

Environmental conditions

This product is designed to be safe under the following conditions:

Location:	Indoor use
Ambient air temperature:	-5°C .. +40°C, other temperatures on request
Storage and transport temperature:	-25°C .. -50°C
Relative humidity:	5% .. 95%, non condensing
Altitude:	Max. 1000m above NN; at >1000m data required
Protection degree (secondary terminal):	IP20

Application conditions

Standard:	IEC 61869-2
IEC 61768-2 specification:	
Rated short-time thermal current (I _{th}):	100 x I _n /1s, max. 100kA/1s, other duration on request
Rated dynamic current (I _{dyn}):	2,5 x I _{th}
Continuous thermal current (I _{cth}):	Up to 200%
Rated insulation level:	0,72/3/- kV or 1,2/6/-kV
Rated frequency:	50/60Hz
Class of insulation:	E
Rated primary current:	60A
Rated secondary current:	1A
Rated output:	As required. For example 1,2VA
Accuracy class:	As required. For example 120Min@0.1xI _n
Secondary terminal:	Screw terminals M5 (max. 2,5Nm)

Dimensions

