

ELEQ Easy Voltage Tap for wires, model UAD16

In existing installations there is rarely a fused terminal available for measurement purposes. This unique tapping clamp allows you to tap a fused voltage from an insulated wire for measurement using one hand and without the need for additional tools. The fuse is mounted directly on the primary conductor, which results in an optimum degree of safety. This unique product is a breakthrough for fast and safe measurement in existing installations.

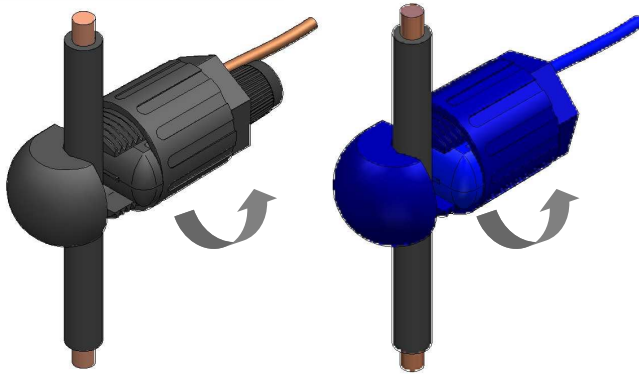


Properties

- One-handed and safe tapping of voltage for measurement purposes
- No tools needed
- Safe mounting
- Including 5x25 mm fuse
- For insulated 4-16 mm² conductors, pliable, stranded and solid

Technical specifications

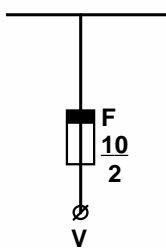
Max. voltage	400V
Test voltage (casing-ground)	3kV/50Hz
Impulse (casing-conductor)	6kV 1,2/50µs
Max. rated current	2A
Voltage drop	<500mVac
Fusetype phase terminal	5x25mm (with indicator) Max 2A SIBA DIN41576-2
Short circuit current	6kA @ 400V/50Hz
Protection degree	IP20
Ambient temperature	-5...+40°C
Suitable for	Pliable, stranded and solid conductors
Torque	0.8/1.5 Nm multiple use 0.8/2.0 Nm single use



UAD16

UAD16N

Wiring diagram



Order specifications

Art.Nr	Cable dimensions
500070	4-16mm ² Fused phase terminal
500071	4-16mm ² Unfused neutral terminal
500075	Set (3x 500070 + 1x 500071)

Dimensional sketch

