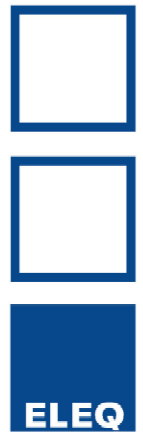
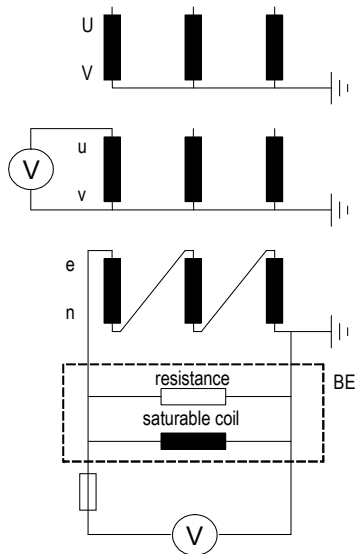


Choke module for suppressing ferro-resonance

In three phase current networks with isolated neutral point which use single-pole current transformers, ferro-resonance may occur. These resonances are generated by the concur of single-pole current transformer's non-linear inductance of open-circuit operation and the earthing capacitance of the network. In order to protect the single-pole current transformer from overheating and to avoid possible overvoltages, the en-winding of the transformer should be constantly vaporised.



Connection Scheme



Technical specification

Rated voltage	100V
Operating voltage	100...110V
Isolation level	0,72kV
Frequency	50Hz (others upon request)
Class of insulation	E
Case	Steel
Dimensions	222x190x229mm
Colour	Grey

Ordering specification

Type	Nominal three phase current of voltage transformer	P _{R total}		P _{D total}
		100V	110V	
BE2	2A	147W	178W	800VA
BE4	4A	147W	178W	800VA
BE6	6A	147W	178W	800VA
BE9	9A	295W	356W	800VA
BE10	10A	295W	356W	1200VA
BE15	15A	295W	356W	1200VA