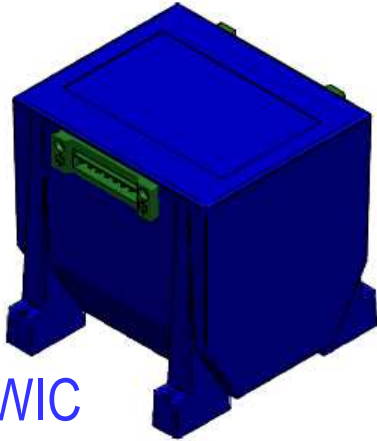


# ELEQ current transformer for WI relays replacement

The WI-WIC is specially designed for application in medium voltage installations as RMU's. This measuring transformer is cost effective and very reliable. It can be used for replacing the WI relays with a new type of CT powered relays like SEG WIC1, ABB REJ603 or Areva MiCOM P114S



WI-WIC

## Technical specifications

Application	Indoor use
Class of insulation	E
Frequency	50–60Hz
Rated insulation voltage	0,72/3/-kV
Material	PU & PA6.6
wire diameter	4mm <sup>2</sup> solid / 2,5mm <sup>2</sup> strand
Standard	IEC60044–1

## Ordering specifications

Art. no.	Primary Current	Secondary Current	Burden	Class
4ZS101	0,3A	0,075A	0,1VA	5P25

## Dimensions

