

Current Transformer for Self Powered Relay, SVR109

The current transformer for self powered relay in SVR109 housing is specially designed for application in medium voltage installations as Ring Main Units (RMU). This solid, cast resin transformer is cost effective and very reliable. The transformer is fitted lengthwise with the cable. The transformer is provided with a permanent lead with connector for connection to the relay. The standard connector code is FKCVR 2.5/4-ST.

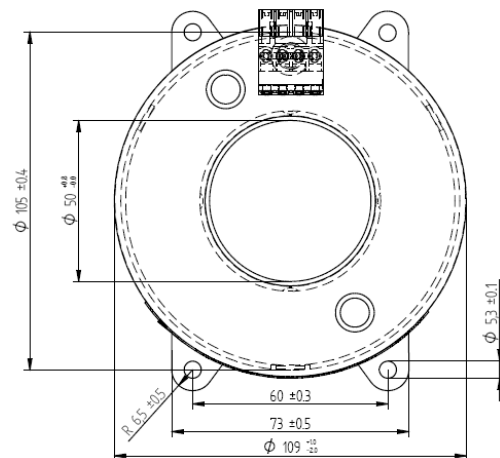


Technical Specifications*

Location:	Indoor use
Protection degree:	IP20
Rated frequency:	50/60Hz
Class of insulation:	E (120 °C)
Primary window suitable for cable:	Maximum Ø50mm
Material:	PU & PA6.6
Secondary terminal:	Cable 110mm with connector FKCVR 2.5/4-STK.
Test winding:	0,288A nom
Burden:	Contact ELEQ for details

*The given specification is valid in combination with a self powered relay like the WIC1

Dimensions



Ordering Specifications

Current Range	Class*	Cable diameter	Article number
16-56A	5P80	50mm	4G2005N
32-112A	5P80	50mm	4G2002N
64-224A	5P80	50mm	4G2003N
128-448A	5P80	50mm	4G2004N

*Contact ELEQ for further details about specification

Wiring Diagram

