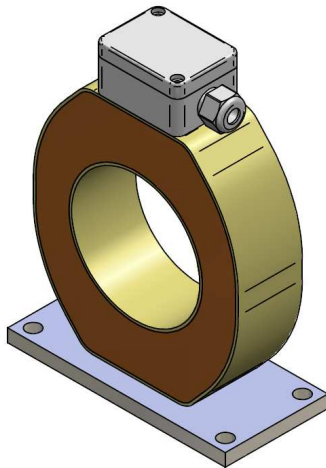


# One-piece cast-resin current transformer SVA160 A 100 for earth fault detection



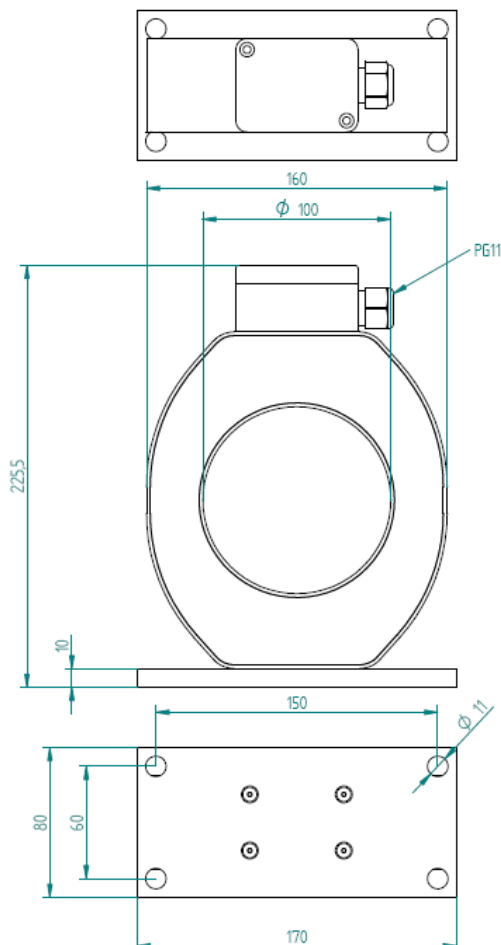
One-piece cast-resin CT suitable to put on cable or cable bushing: Type SVA for earth fault detection.  
Maximum cable diameter = 100mm.



## Technical description

Type	SVA160A100
Ratio	100/1A or 60/1A other ratio possible
Burden	2,5VA at prim. 100A
Class	special for directed Earth fault
Angle error at 10% of the Nominal current	< 120 Minutes
Insulation level	0,72/3/-kV
Nominal frequent	50/60 Hz
Ith	Max. 60kA/1s
Standard	IEC 60044
Insulation class	E
Temperature	-10...+55°C
Weight	ca. 2kg
Ground plate	Aluminum
Terminal box	Polycarbonate
Protection class	IP54
Cable bushing	PG11

## Dimension SVA 160 A 100



## Order data

Item number	482246
-------------	--------