

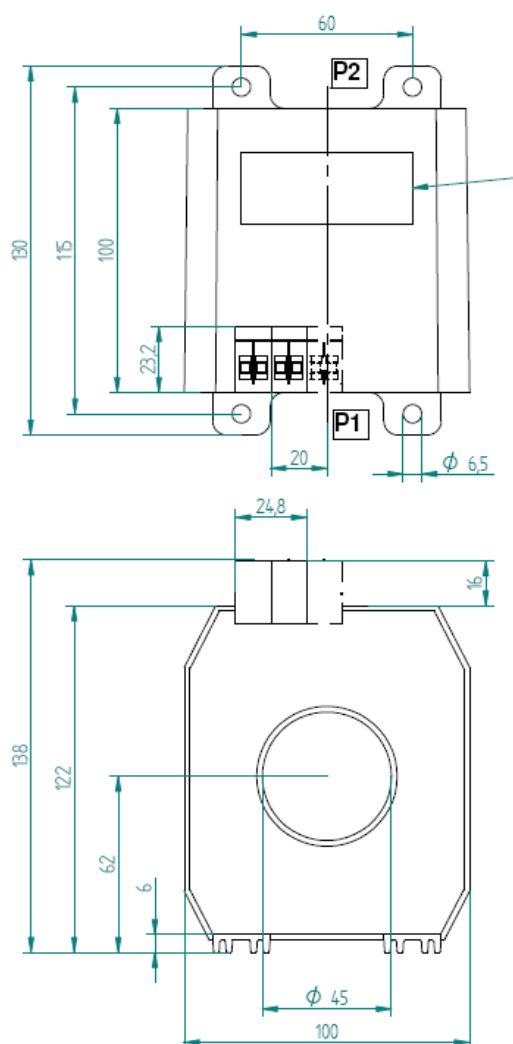
# ELEQ Switchgear transformer SVA100 M-classes

The SVA100 is specially designed for application in medium voltage installations as RMU's. This cast measuring transformer is cost effective and very reliable. Multi-core and multi ratio types are available in measuring and protection classes.



## SVA100-100-45

## Dimensions



## Technical specification

Application	Indoor use
Class of insulation	A
Frequency	50-60Hz
Primary conductor	Cable max. Ø45mm
Material	PU & PA6.6
Sec. wire diameter	6mm <sup>2</sup> solid / 4mm <sup>2</sup> strand
Standard	IEC60044-1

## Ordering specification

Art. no.	Ratio	Class	Burden
4SV903	100/5A	0,2S	2,5VA
4SV999	150/5A	0,2S	2,5VA
4SV905	200/5A	0,2S	2,5VA
4SV999	300/5A	0,2S	2,5VA
4SV999	400/5A	0,2S	2,5VA
4SV999	500/5A	0,2S	2,5VA
4SV999	600/5A	0,2S	2,5VA
4SV999	50/5A	0,5-1	2-4VA
4SV999	100/5A	0,5-1	3-5VA
4SV999	150/5A	0,5-1	3-5VA
4SV999	200/5A	0,5-1	3-5VA
4SV999	300/5A	0,5-1	3-5VA
4SV999	400/5A	0,5-1	3-5VA
4SV999	500/5A	0,5-1	3-5VA
4SV999	600/5A	0,5-1	3-5VA
4SV999	50/1A	0,5-1	2-4VA
4SV933	100/1A	0,5-1	3-5VA
4SV999	150/1A	0,5-1	3-5VA
4SV935	200/1A	0,5-1	3-5VA
4SV999	300/1A	0,5-1	3-5VA
4SV937	400/1A	0,5-1	3-5VA
4SV999	500/1A	0,5-1	3-5VA
4SV939	600/1A	0,5-1	3-5VA



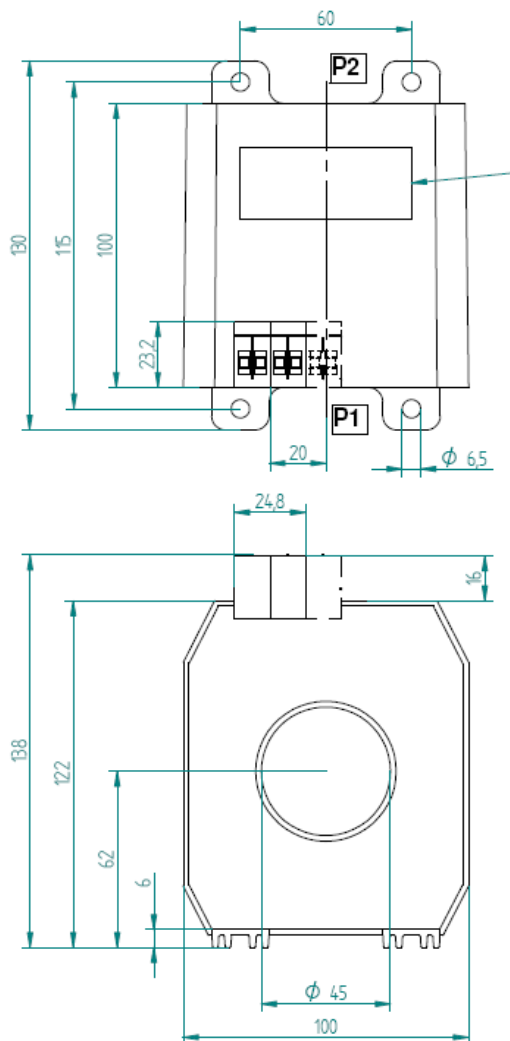
# ELEQ Switchgear transformer SVA100 P-classes

The SVA100 is specially designed for application in medium voltage installations as RMU's. This cast measuring transformer is cost effective and very reliable. Multi-core and multi ratio types are available in measuring and protection classes.



## SVA100-100-45

## Dimensions



## Technical specification

Application	Indoor use
Class of insulation	A
Frequency	50-60Hz
Primary conductor	Cable max. Ø45mm
Material	PU & PA6.6
Sec. wire diameter	6mm <sup>2</sup> solid / 4mm <sup>2</sup> strand
Standard	IEC60044-1

## Ordering specifications

Art. no.	Ratio	Class	Burden
4SV999	50/5A	5P10	2,5VA
4SV999	100/5A	5P10	2,5VA
4SV999	150/5A	5P10	2,5VA
4SV999	200/5A	5P10	2,5VA
4SV999	300/5A	5P10	2,5VA
4SV999	400/5A	5P10	2,5VA
4SV999	500/5A	5P10	2,5VA
4SV999	600/5A	5P10	2,5VA
4SV999	50/1A	5P10	2,5VA
4SV999	100/1A	5P10	2,5VA
4SV974	150/1A	5P10	2,5VA
4SV999	200/1A	5P10	2,5VA
4SV999	300/1A	5P10	2,5VA
4SV999	400/1A	5P10	2,5VA
4SV999	500/1A	5P10	2,5VA
4SV999	600/1A	5P10	2,5VA

Art. no.	Ratio	Class	Burden
4SV981	100-200/1A	5P10	2,5VA
4SV999	200-400/1A	5P10	2,5VA
4SV983	400-600/1A	5P10	2,5VA
4SV984	300-600/1A	5P10	2,5VA
4SV989	50-100-200/1A	5P10	2,5VA

