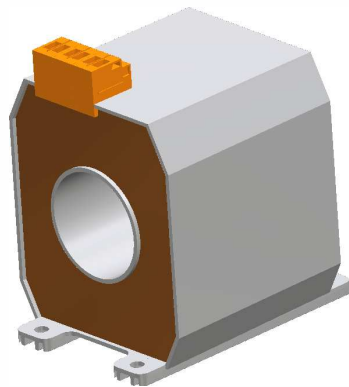


# ELEQ Switchgear transformer for CT powered relays

The low power switchgear CT's are specially designed for application in medium voltage installations as RMU's. This cast resin transformer is cost effective and very reliable. It is designed for dynamic loads and applicable for the CT powered relays. Accredited by **Woodward SEG for WIC1**. Also suitable for **ABB REJ603** and **Areva MiCOM P114S**.

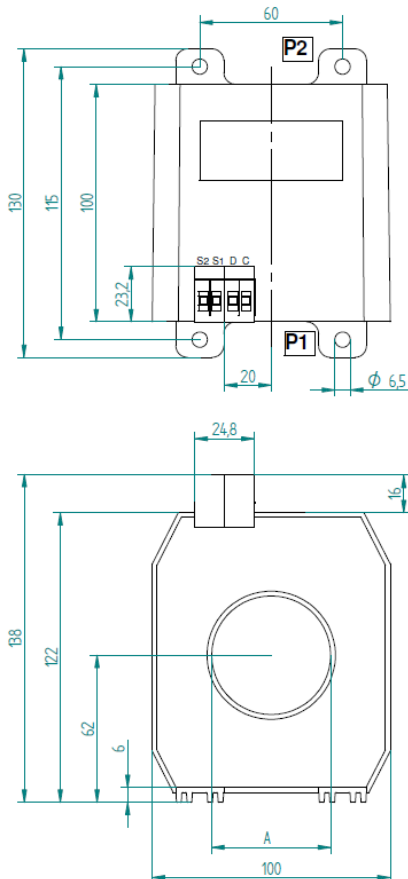


**SVA100-100-45/50**

## Technical specifications

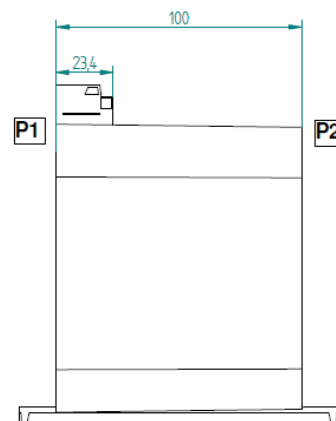
Application	Indoor use
Class of insulation	E
Frequency	50-60Hz
Primary conductor	Cable max. Ø50mm
Material	PU & PA6.6
Sec. wire diameter	6mm <sup>2</sup> solid / 4mm <sup>2</sup> strand
Test winding	0,288A nominal
Burden	Contact ELEQ for details

## Dimensions



## Ordering specifications

Art. no.	Current	Class**	Cable Dia.
4G2401*	8-32A	5P80	45 mm
4G2201N	16-56A	10P80	50 mm
4G2202N	32-112A	5P80	50 mm
4G2203N	64-224A	5P80	50 mm
4G2204N	128-448A	5P80	50 mm
4G2205N	16-56A	5P80	50 mm
62200	256-896	5P80	50 mm***



Type	A
SVA 100-100-45	45
SVA 100-100-50	50

## To be used for SEG WIC1, ABB REJ603 and Areva MiCOM P114S

- \* NEW IN PRODUCT RANGE, TESTED AND FOUND GOOD BY SEG!
- \*\* Contact ELEQ for further details about specification and dimension
- \*\*\* Different shape drawing on request