

# FAGET intelligent Current transformer, Type EMP4420

The FAGET EMP4420 is a power transmitter for converting power to a 4-20mA signal. It is the only power transmitter capable of measuring power and the perfect choice for applications requiring power monitoring of motors. The two-wire transmitter system makes the EMP4420 ideal for applications in combination with PLCs.



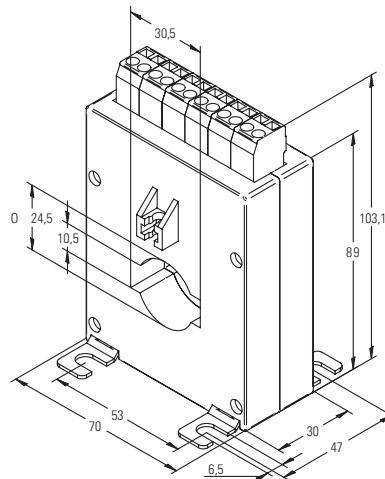
## Technical specifications

Primary voltage:	230V
Voltage range:	46-265V
Abs. max. input voltage:	265V
Power consumption:	< 2VA
Primary current:	max. 250A
Current range:	0 - 1,2In
Overload capacity:	60*In (1sec)
Continually:	1,2*In
Freq. range 2-wire:	15-200Hz
Freq. range 3-wire:	45-55Hz
Freq. range 4-wire:	15-200Hz
Class:	0,5
Impulstest:	5kV 1,2/50µs
Insulation:	4kV 60s
Weight:	± 0,2 kg
Transmitteroutput:	
Supply voltage:	10 - 40Vdc
Load at 10Vdc:	0 Ohm
Load at 40Vdc:	1500 Ohm
Output current:	4-20mA
Setting time:	< 1sec

## Measuring ranges

Order number	Measuring current
6M2801	10A
6M2802	12A
6M2803	12,5A
6M2804	15A
6M2806	20A
6M2807	25A
6M2808	30A
6M2809	40A
6M2810	50A
6M2811	60A
6M2812	75A
6M2813	80A
6M2814	100A
6M2815	120A
6M2816	125A
6M2817	150A
6M2819	200A
6M2820	250A

## Dimensions



## Wiring Diagram

