

EM800-C

COMPACT-transducer EM800-C



Transducer for cos phi

Transducer suitable for measurement of cos phi in 1 or multi phase systems with balanced or unbalanced loads. By using μP -technology, almost each thinkable output curve is possible.

Input

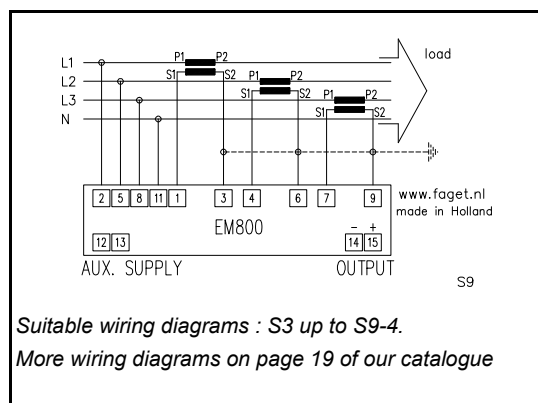
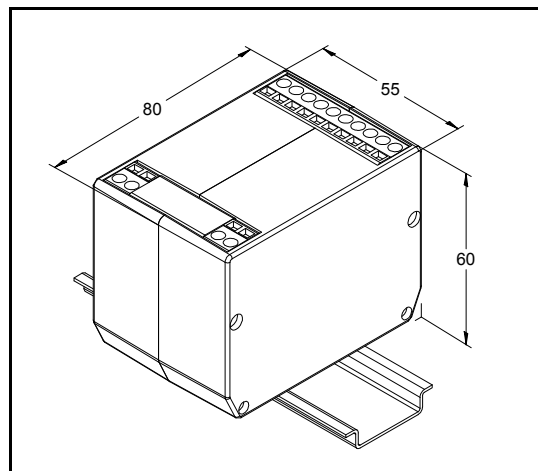
- ▶ AC Voltage, nominal value from 58 up to 440V
- ▶ AC current, nominal 1A or 5A
- ▶ Sinusoidal or distorted

Output

- ▶ Unipolar output and live-zero output
- ▶ Current or voltage output possible
- ▶ Single-, dual-, and tripple-slope output signals possible

Aux. supply

- ▶ Normalised AC voltages from 58V up to 440V



Suitable wiring diagrams : S3 up to S9-4.
More wiring diagrams on page 19 of our catalogue

Order information

You can use our product specification sheet PSBEEEM800. You can find it on page 22 of our catalogue or via www.faget.com.

Input		Output		Auxiliary supply	
Nominal voltage	58/100V...254/440V	Output end value	1, 5, 10 or 20mA	Voltage	100, 110, 230, 400, 440Vac
Nominal current	1A or 5A (6A max)	live zero	20% of end value	Power consumption	<4VA
Nominal frequency	45..50..60..65Hz	load voltage	10V	Safety	
on request	16 $\frac{2}{3}$ Hz, 400Hz	current limitation	<30mA	Impulstest	5kV 1,2/50 μ s
Range	0cap-1-0ind.	Voltage output	1, 5 or 10V	Insulation test	4kV 50Hz 1min.
Overload	1,2xUn continue	live zero	20% of end value	Housing protection	
	2xUn / 10sec.	max. current load	10mA	terminals	IP20
	1,2xIn continue	voltage limitation	<30V	housing	IP40
	50xIn / 1sec.	Accuracy class		EMC	
Power consumption		Class	[0.5]	Emission	EN50081-1
each current input	0,4VA	Ripple	<0,4%pp	Immunity	EN50082-2
each voltage input	<500 μ A	Response time		Usage group	III (IEC60688)
		0-90% & 100-10%	<250ms	Pollution degree	II (IEC60947-1)