

FAGET Currentrelay, Model EM305

The FAGET current relay EM305 is suitable for an alternating current of up to 100A. The switching point and speed of response are adjustable. The relay comes standard with an auxiliary supply of 24Vdc. 110Vdc is available as an option. This model is characterized by its speedy switching performance. The current relay is the perfect choice for monitoring production processes of pumps, etc.



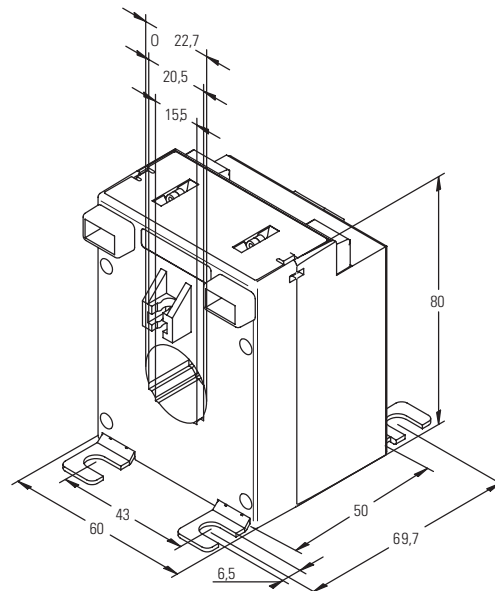
Technical specifications

| | |
|------------------------------|-------------|
| Power consumption: | 19 .. 29Vdc |
| I-stand-by: | ca. 17mA |
| I-tripped: | ca. 20mA |
| Tripping current adjustment: | 0,1 .. 1*Is |
| Frequency range: | 15-1000Hz |
| Make time: | 20 .. 500ms |
| Break time: | >200ms |
| Hysteresis: | ca. 10% |
| Overload capacity: | 3000A/1s |
| Maximum current: | 100A |
| Contactmaterial relay: | AgPd |
| Contact-resistance: | <50mOhm |
| Optical signal: | red LED |

Measuring ranges

| Is | Tripping-current range | Order number |
|------|------------------------|--------------|
| 2,5A | 0,25 .. 2,5A | 6E3003 |
| 10A | 1 .. 10A | 6E3004 |
| 25A | 2,5 .. 25A | 6E3005 |

Dimensions



Wiring Diagram

