

# FAGET intelligent current transformer, Model EM229

The FAGET EM229 is an active current transducer for converting an alternating current of up to 250A to a 4-20mA, 0-20mA or 0-10V signal. All outputs are included in the transducer as a standard. The transducer uses a 230Vac auxiliary supply. Other alternating current auxiliary supplies are available on request. This transducer is characterized by its compact dimensions.



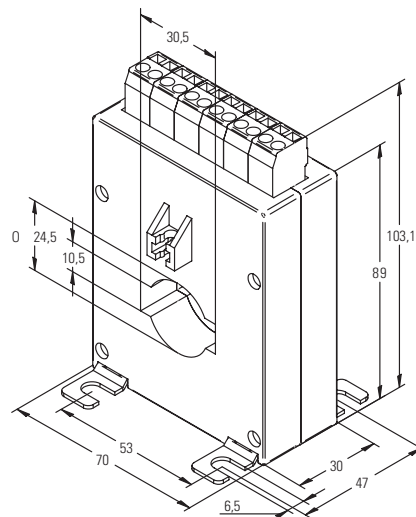
## Technical specifications

Primary current:	max. 250A
Aux. supply:	230Vac
Output:	4-20mA & 0-20mA & 0-10V
Weight:	± 0,3 kg
Class (0,2-1,2In):	0,5
Range:	0 - 1,2In
Overload capacity	60*In (1sec)
Continually:	1,2*In
Frequency range	45-65Hz
Power consumption:	< 2VA
Max. load	500 Ohm
Setting time:	< 1sec
Umax with open terminals:	< 24Vdc
I <sub>max</sub> with 0 Ohm load:	< 40mA
I <sub>max</sub> with 500 Ohm load	< 30mA
Impulstest:	5kV 1,2/50µs
Insulation:	4kV/60s. (50Hz)

## Measuring ranges

Order number	Measuring current
6M2501	10A
6M2502	12A
6M2503	12,5A
6M2504	15A
6M2505	16A
6M2506	20A
6M2507	25A
6M2508	30A
6M2509	40A
6M2510	50A
6M2511	60A
6M2512	75A
6M2513	80A
6M2514	100A
6M2515	120A
6M2516	125A
6M2517	150A
6M2518	160A
6M2519	200A
6M2520	250A

## Dimensions



## Wiring Diagram

