

# FAGET intelligent current transformer, Model EM228

The FAGET EM228 is an active current transducer for converting an alternating current of up to 1250A to an 4-20mA (standard), 0-20mA or 0-10V signal. The transducer is provided with an auxiliary supply of 230Vac. Other alternating current auxiliary supplies are available on request. The auxiliary supply is galvanically separated from the output circuit.



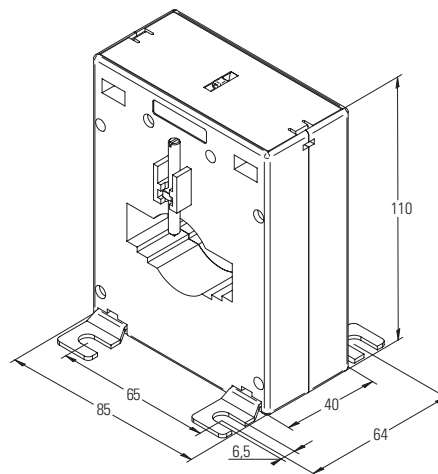
## Technical specifications

Primary current:	max. 1250A
Aux. Supply:	230V (standard)
Output:	4-20mA (standard) 0-20mA 0-10V
Weight:	± 0,3 kg
Class (0,2-1,2In):	[0,5]
Range:	0 - 1,2In
Overload capacity:	60*In (1sec)
Continually:	1,2*In
Frequency range:	45-65Hz
Power consumption:	< 2VA
Max. load:	500 Ohm
Setting time:	< 1sec
Umax with open terminals:	< 24Vdc
I <sub>max</sub> with 0 Ohm load:	< 40mA
I <sub>max</sub> with 500 Ohm load:	< 30mA
Impulstest:	5kV 1,2/50µs
Insulation:	4kV/60s. (50Hz)

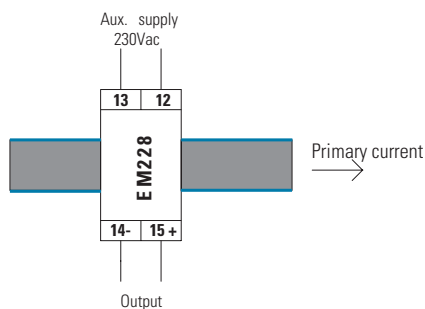
## Measuring ranges

Order number	Measuring Current
6M2601	100A
6M2602	120A
6M2603	125A
6M2604	150A
6M2616	160A
6M2605	200A
6M2606	250A
6M2607	300A
6M2608	400A
6M2609	500A
6M2610	600A
6M2611	750A
6M2612	800A
6M2613	1000A
6M2614	1200A
6M2615	1250A

## Dimensions



## Wiring Diagram



## Dimensions opening

