

# FAGET intelligent current transformer, Model EM223

The FAGET EM223 is a current transducer for converting an alternating current of up to 400A to a 0-20mA signal. This current transducer does not require an auxiliary supply. This makes the EM223 ideal for applications requiring a simple and reliable method of measuring currents.



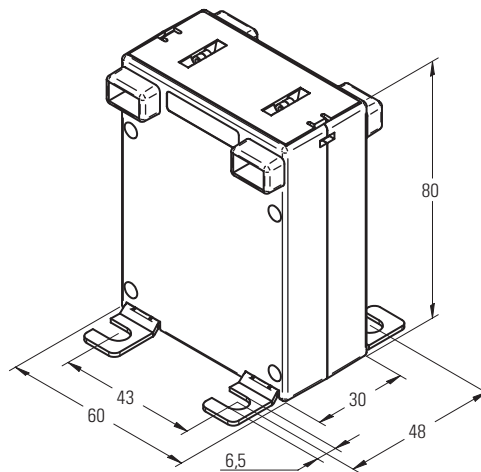
## Technical specifications

Primary current:	max. 600A
Output:	0-20mA
Weight:	± 0,25kg
Class (0,2-1,2In):	[0,5]
Range:	0 - 1,2In
Overload capacity:	60*In (1sec)
Continually:	1,2*In
Frequency range:	45-65Hz
Power consumption:	< 0,5VA
Max. load (up to 75A):	600 Ohm
Max. load (from 75A):	750 Ohm
Setting time:	< 1sec
Umax with open terminals	< 24Vdc
I <sub>max</sub> with 0 Ohm load:	< 40mA
I <sub>max</sub> with 750 Ohm load:	< 30mA
Impulstest:	5kV 1,2/50µs
Isolation:	4kV/60s. (50Hz)

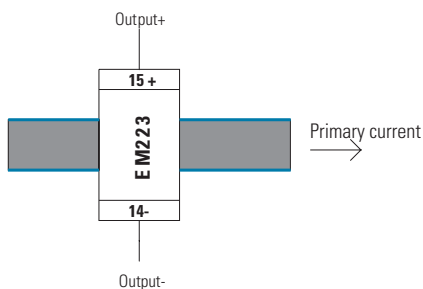
## Measuring ranges

Order number	Measuring current	Housing
6M2301	1A	IA60D
6M2302	5A	IA60D
6M2303	10A	IA60D
6M2309	25A	IA60D
6M2310	30A	IA60D
6M2350	40A	IA60A21
6M2351	50A	IA60A21
6M2352	60A	IA60A21
6M2353	75A	IA60A21
6M2354	80A	IA60A21
6M2355	100A	IA60A31
6M2358	150A	IA60A31
6M2359	160A	IA60A31
6M2360	200A	IA60A31
6M2361	250A	IA60A31
6M2362	300A	IA60A31
6M2363	400A	IA60A31

## Dimensions



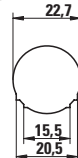
## Wiring Diagram



Dimensions opening

Type A: no opening

Type B



Type C

