

# RM70-E4B (0,2S 2.5VA)

Currenttransformer for accounting



## Primary conductor :

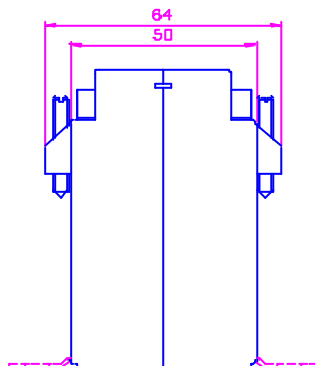
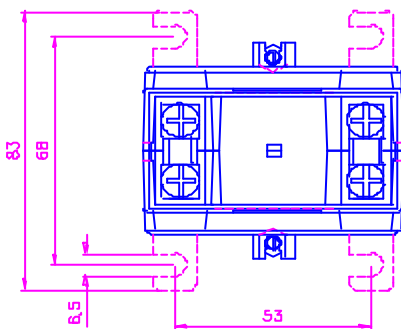
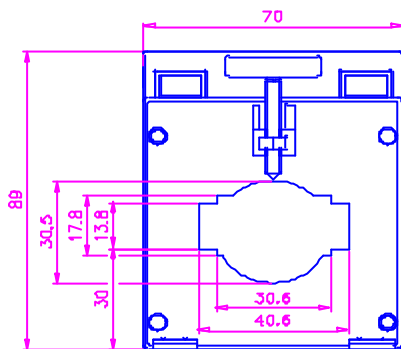
Busbar 40x10(13)mm  
30x10(17,5)mm

Cable Ø 30mm

## Specifications :

Currenttransformer, model RM70-E4B  
Current-ratio : 200/5A  
Accuracy class : 0,2S  
Secondary burden : 2,5VA  
Saturation limit factor : Fs5  
Order number : 4M3533

## Dimensional diagram :



Currenttransformer, model RM70-E4B  
Current-ratio : 300/5A  
Accuracy class : 0,2S  
Secondary burden : 2,5VA  
Saturation limit factor : Fs5  
Order number : 4M3541

Currenttransformer, model RM70-E4B  
Current-ratio : 400/5A  
Accuracy class : 0,2S  
Secondary burden : 2,5VA  
Saturation limit factor : Fs5  
Order number : 4M3540

Currenttransformer, model RM70-E4B  
Current-ratio : 500/5A  
Accuracy class : 0,2S  
Secondary burden : 2,5VA  
Saturation limit factor : Fs5  
Order number : 4M3539