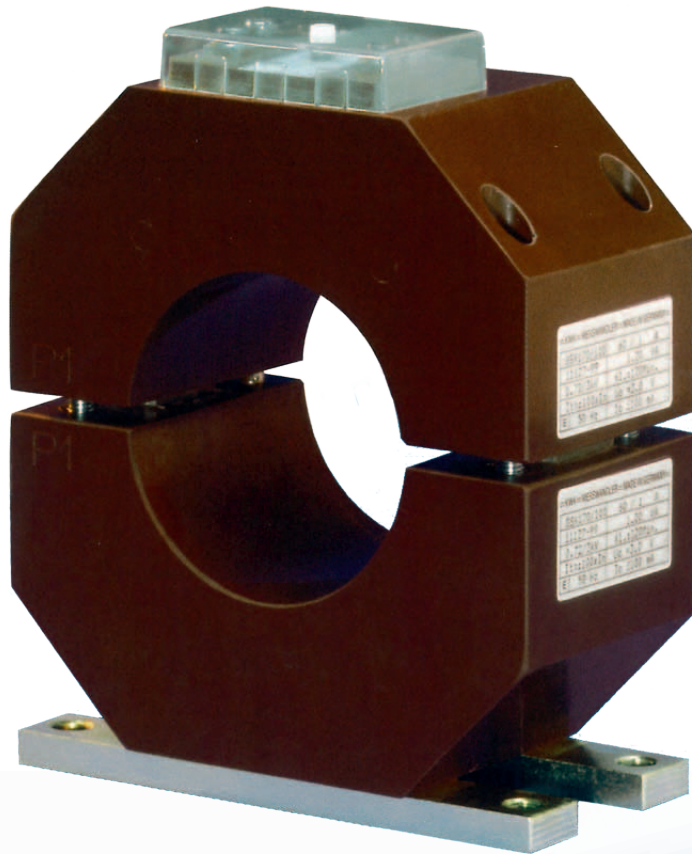




mastering electricity  
worldwide

# ELEQ GSK

## Split-Core Current Transformers



# GSK Split-Core Current Transformers

## GSK Split-Core Current Transformers: perfect design offering full flexibility and compliance with all regulations

GSK split-core current transformers can be used for a variety of measuring, revenue metering (billing) and protection tasks. They are easily mounted around existing busbar or cable systems. If the busbar systems or medium voltage cables are sufficiently insulated, these current transformers can be used for insulation levels higher than  $U_m = 0,72\text{kV}$ . Split-core current transformers for outdoor use are also available on request.

The current transformers are made of soft magnetic, highly permeable cut wound cores. Each half of the core is uniformly wound for better detection of the magnetic field. Two plugs connect the two halves when mounted. Four socket-head cap screws with compression springs hold the two halves of the housing together, thus guaranteeing the correct pressure at the cut core surfaces.

The output terminals come equipped with M5 screws. Protection against accidental contact is provided by a transparent polycarbonate cap. The modular mould system of the GSK permits almost any combination of housing and window sizes. To guarantee the mechanical and electrical resistance of the transformers they are encapsulated in a cast-resin housing with polyurethane. The GSK split-core current transformers are equipped with two base plates as standard that allow them to be mounted in any position. They require no maintenance.

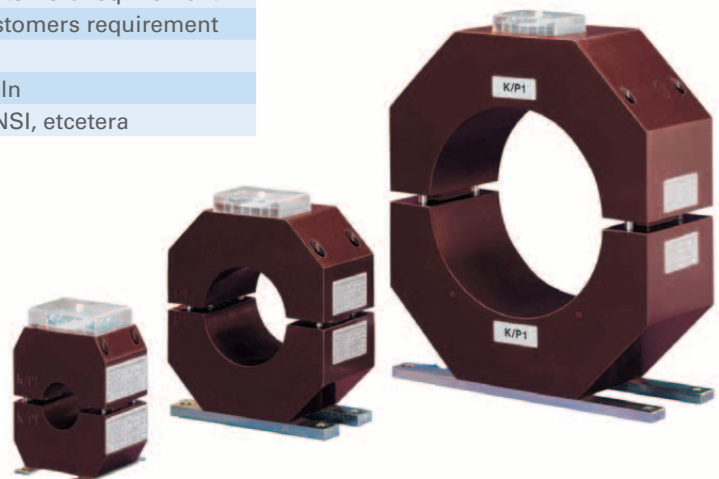
During the final inspection at ELEQ the current transformers are always subjected to a routine test in accordance with the relevant national and international standards.

*Caution: if current transformers are operated open-circuited on the secondary side, extremely high voltages can be generated with resultant damage to equipment and personnel!*

## General technical data

Rated primary current	50...10000A
Rated secondary current	1A, 5A
Rated frequency	50Hz, 60Hz
Rated burden	according to customers requirement
Accuracy class	according to customers requirement
Rated insulation level	0,72/3/-kV
Rated short-time thermal current	minimum $100 \times I_n$
Standard	VDE, IEC, BC, ANSI, etcetera

Other options available on request



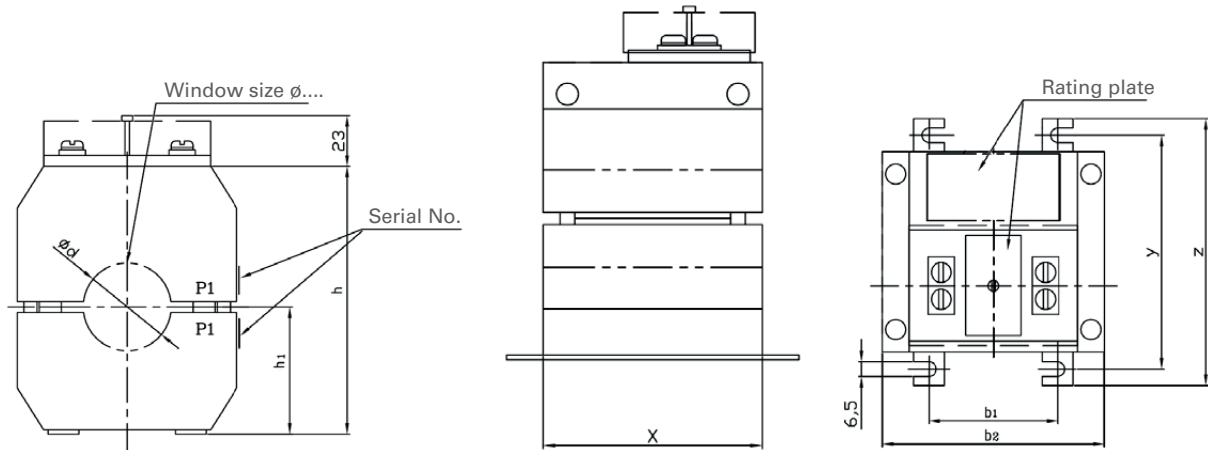
## Dimensions GSK100 and 120

Type	b1	b2	h	h1	ød max.	size*
GSK 100/..	60	100	122	58	50	A-C
GSK 120/...	80	120	137	62	85	A-C

\* See table for the available sizes per GSK-type

## Possible sizes

	x	y	z
A	60	75	90
B	90	105	120
C	120	135	150



## Dimensions remaining GSK's

Type	b1	b2	b3	h	h1	h2	ød max.	v	size*
GSK 135/...	130	135	150	140	70	10	90	9	A-C
GSK 150/...	130	150	150	170	85	10	110	9	A-C
GSK 170/...	150	170	170	185	92,5	10	110	11	A-D
GSK 200/...	180	200	200	200	100	10	140	11	B-C+*
GSK 250/...	230	250	250	260	130	10	150	11	B-E
GSK 300/...	280	300	300	340	170	10	210	11	B-E
GSK 400/...**	370	400	400	440	220	10	290	11	B-F
GSK 500/...**	440	500	500	540	270	15	350	13	E-G

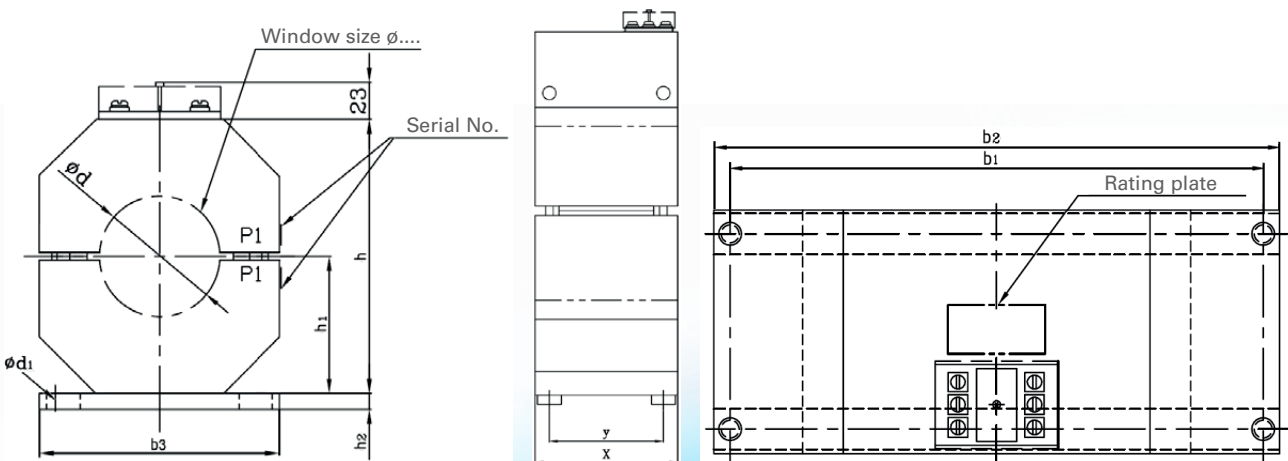
\* See table for the available sizes per GSK-type

\*\* Equipped with one-piece base plate

## Possible sizes

	x	y
A	60	30
B	90	60
C	120	90
D	150	120
E	200	170
F	250	220
G	300	270
*	140	110

Small deviations in dimension and construction possible





mastering electricity  
worldwide

ELEQ designs and manufactures smart electrotechnical applications for protecting, measuring and connecting electrical energy and works worldwide for renowned power companies, system builders and installers. Together with our clients we anticipate on the future and on required innovations.

ELEQ is a true producer and partner of clients and relations who are professionally involved in energy and public lighting systems and who rely on continuous precision and high services.

ELEQ delivers all its products and applications in accordance to the high Dutch and German quality standards and serves markets in Europe and beyond from its locations in the Netherlands (Steenwijk) and Germany (Kerpen).

part of a smart world



**ELEQ b.v.**  
P.O. Box 12, 8330 AA Steenwijk  
Tukseweg 130, 8331 LH Steenwijk  
The Netherlands

+31 (0) 521 533 333  
+31 (0) 521 533 391  
info@eleq.com  
www.eleq.com

Karl-Ferdinand-Braun-Straße 1  
50170 Kerpen (Sindorf)  
Germany

+49 (0) 22 73 / 988 70  
+49 (0) 22 73 / 988 791  
info@eleq.com  
www.eleq.com

83265 / GSK-EN1303