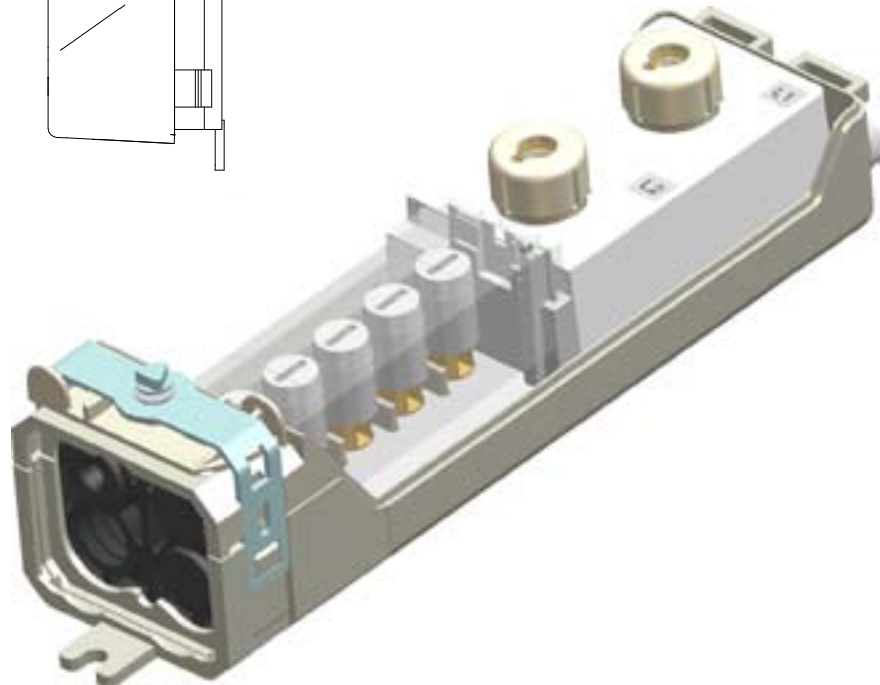
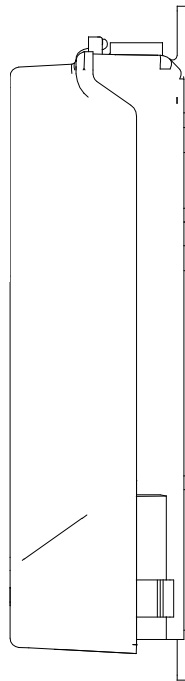
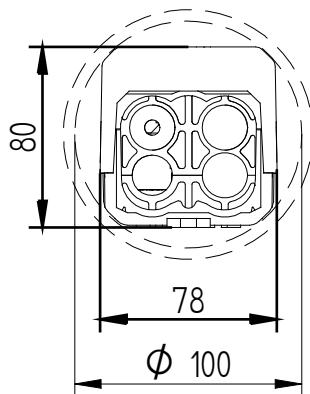
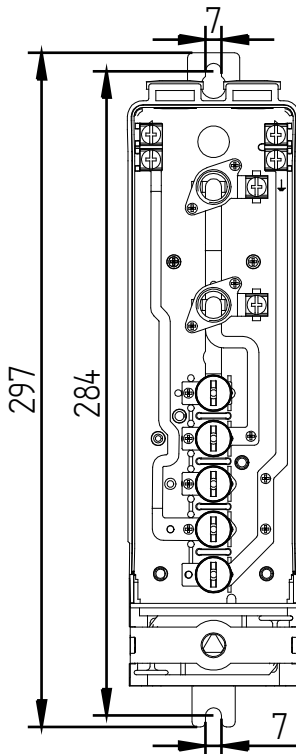
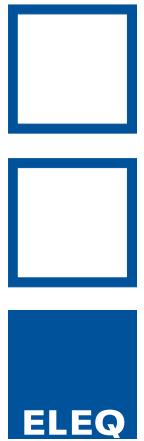


LS-100
5L8214



Specifications

Type : LS-100
Article number : 5L8214

Technical specifications

Minimum inside diameter : 100 mm
Looping through : Yes
Suitable for : 2x E14 fuse (D01)
Provided with : 2x 6A
Number of terminals : 5 Pcs; 3x phase, zero, Earth
Max. wire cross section : 2x 16mm²
Pull relief : Yes, max. two ground cables
23mm and 2 lightmast cords
Earth-neutral connection : Yes
Double insulated : Yes
Quality mark : Kema, CE-mark
Protection : IP55, IK10

Packing

12 Pcs in a box or 216 Pcs per pallet
Deliverable from stock

Can be combined with

5L9970, 71, 72 : Profile for LS-100
5L9950 : Cable bending tool

Use

To be mounted on walls (IP 55)

ELEQ bv
Tukseweg 130
8331 LH Steenwijk (NL)
T: +31 (0) 521 533 333
F: +31 (0) 521 533 391
www.eleg.com