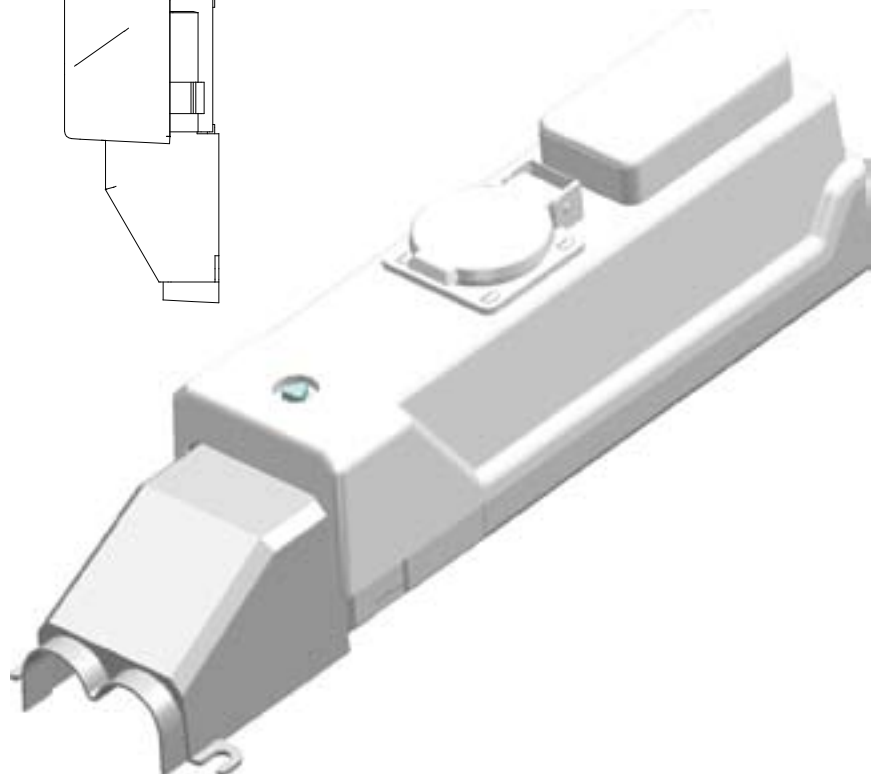
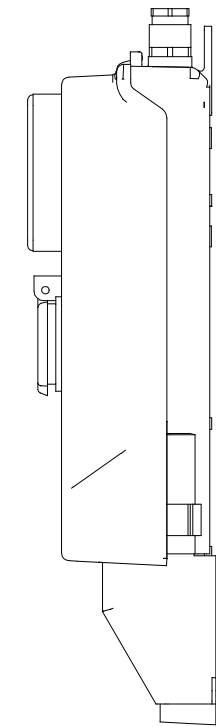
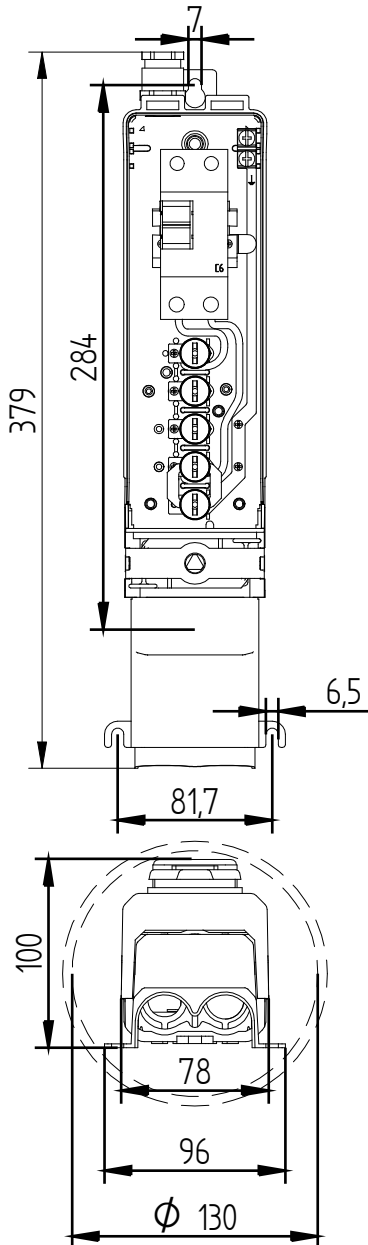
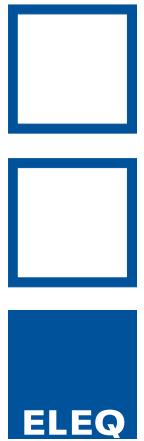


LS-100
5L8021



Specifications

Type : LS-100
Article number : 5L8021

Details

: Combination with Earth leakage circuit breaker and socket

Technical specifications

Minimum inside diameter : 125mm
Looping through : Yes
Provided with : Automatic 6A C-Characteristic
: Grounded socket
Number of terminals : 5 Pcs; 3x phase, zero, Earth
Max. wire cross section : 2x 16mm²
Pull relief : Yes, max. two ground cables
23mm and 2 lightmast cords
Earth-neutral connection : Yes
Double insulated : Yes
Quality mark : Kema, CE-mark
Protection : IP55, IK10, socket IP44

Packing

12 Pcs in a box or 216 Pcs per pallet
Deliverable from stock

Can be combined with

5L9970, 71, 72 : Profile for LS-100
5L9950 : Cable bending tool

Use

To be mounted against the wall

ELEQ bv
Tukseweg 130
8331 LH Steenwijk (NL)
T: +31 (0) 521 533 333
F: +31 (0) 521 533 391
www.eleq.com