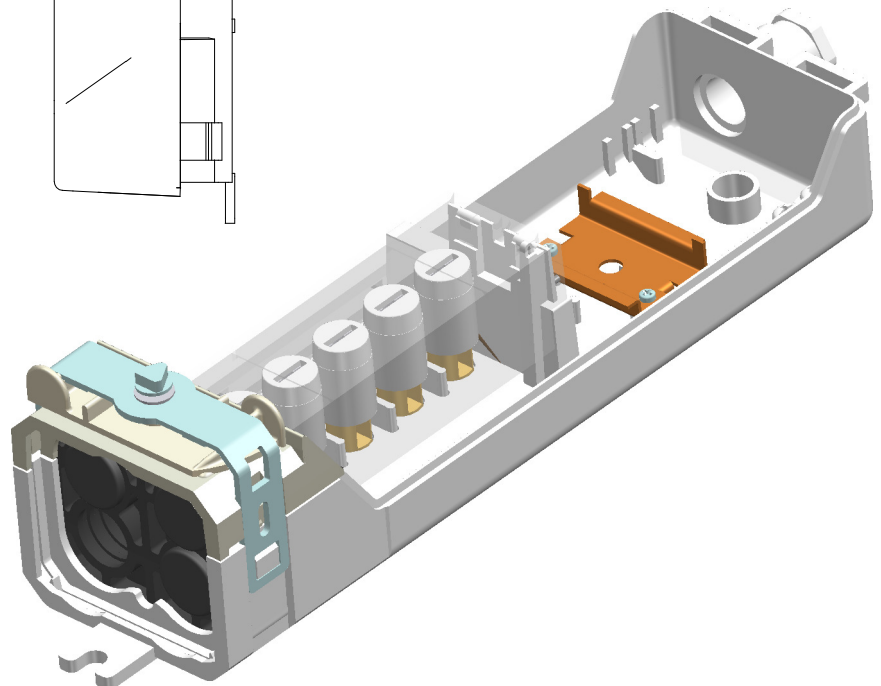
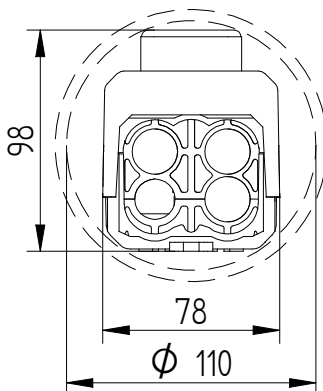
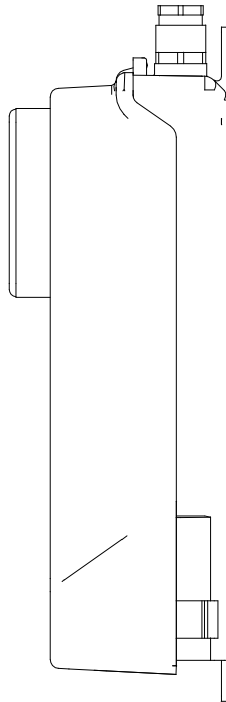
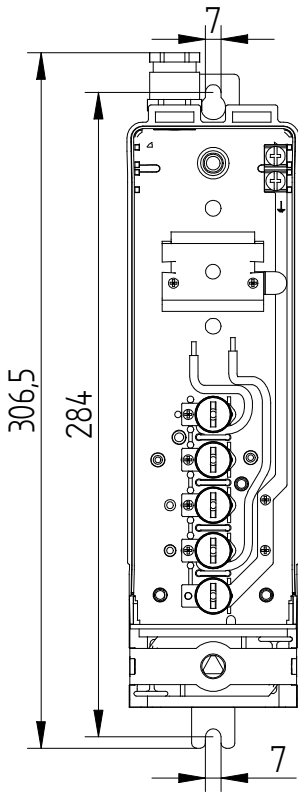


LS-100
5L8012



Specifications

Type : LS-100
Article number : 5L8012

Details

: Increased lid
: Suitable for DIN rail components

Technical specifications

Minimum inside diameter : 110 mm
Looping through : Yes
Provided with : 1 x Swivel M20
Number of terminals : 5 Pcs; 3x phase, zero, Earth
Max. wire cross section : 2x 16mm²
Pull relief : Yes, max. two ground cables
23mm and 2 lightmast cords
Earth-neutral connection : No
Double insulated : Yes
Protection : IP55, IK10

Packing

12 Pcs in box or 216 Pcs per pallet
Deliverable from stock

Can be combined with

5L9970, 71, 72 : Profile for LS-100
5L9950 : Cable bending tool
5L9960 : Triangle key for LS-100

ELEQ bv
Tukseweg 130
8331 LH Steenwijk
T: +31 (0) 521 533 333
F: +31 (0) 521 533 391
www.eleq.com