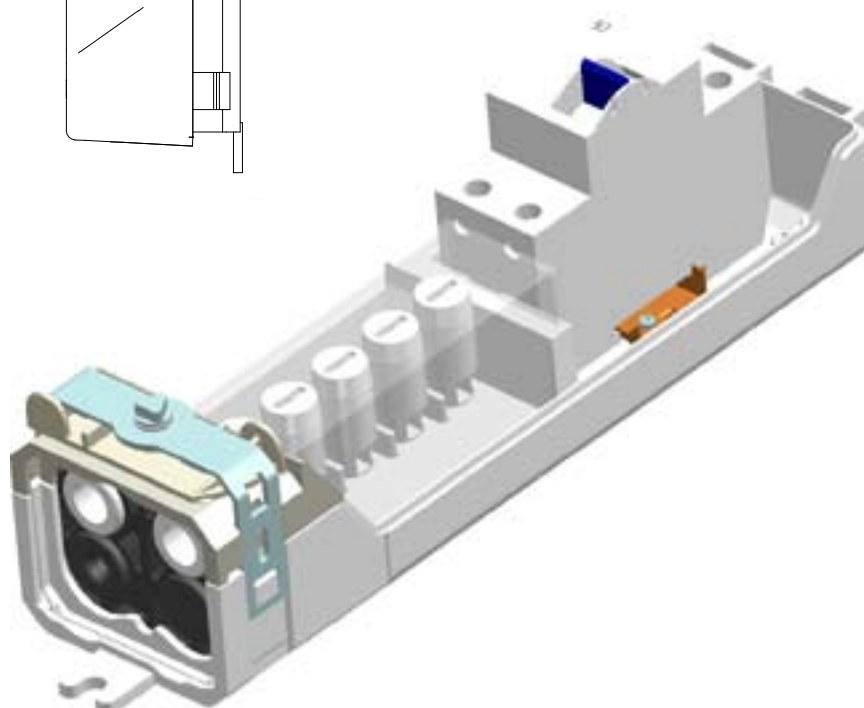
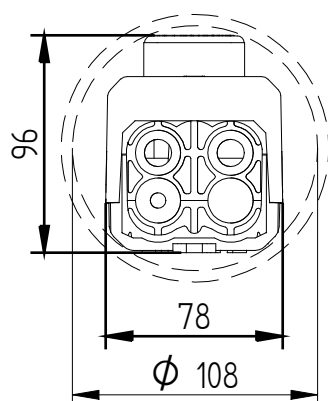
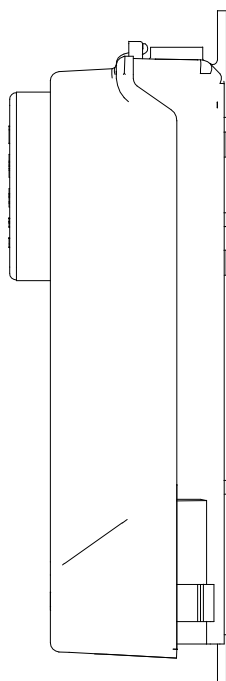
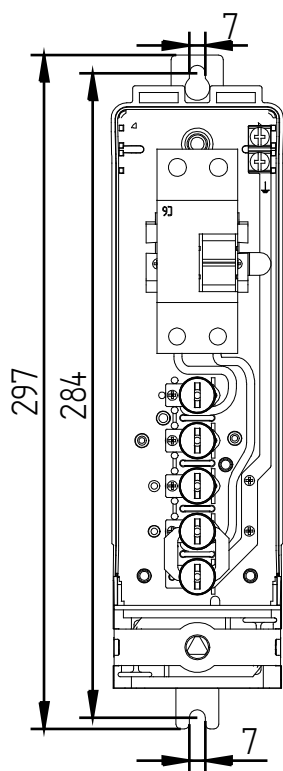


Junction box with circuit breaker

5L8005-H



Specifications

Type : LS-100
 Article number : 5L8005-H

Details

: Increased lid

Technical specifications

Minimum inside diameter : 108 mm
 Looping through : Yes
 Provided with : Automatic 6A C-kar.
 Number of terminals : 5 Pcs; 3x phase, zero, Earth
 Max. wire cross section : 2x 16mm²
 Pull relief : Yes, max. two ground cables
 23mm and 2 lightmast cords
 Earth-neutral connection : Yes
 Double insulated : Yes
 Quality mark : Kema, CE-mark
 Protection : IP55

Packing

12 Pcs in a box or 216 Pcs per pallet
 Deliverable from stock

Can be combined with

5L9970, 71, 72 : Profile for LS-100
 5L9950 : Cable bending tool

Use

Used for mounting on walls

ELEQ bv
 Tukseweg 130
 8331 LH Steenwijk (NL)
 T: +31 (0) 521 533 333
 F: +31 (0) 521 533 391
www.eleq.com