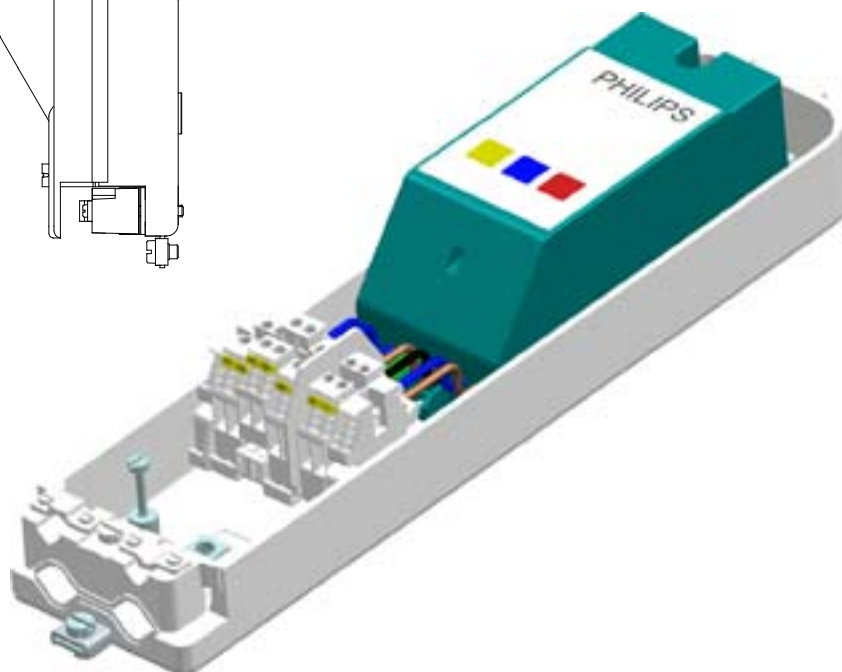
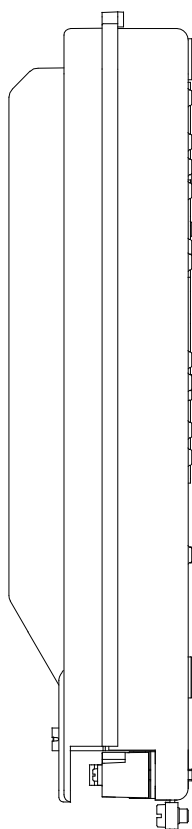
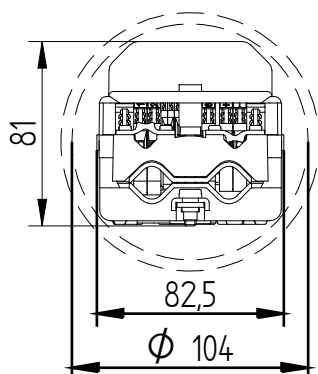


Junction box for Philips OLC 5L6051



Specifications

Type : LS-104PHI
Article number : 5L6051

Packing

12 Pcs in a box or 216 Pcs per pallet
2 weeks delivery period

Details

: Incl. wiring between OLC
and terminals

Use

Suitable for lightpole

Technical specifications

Minimum inside diameter : 104mm
Looping through : No
Number of terminals : 8Pcs, 1,2,3,4,5,6,+,-
Max. wire cross section : 2,5mm²
Pull relief : Yes, max. two ground cables
23mm and 2 lightmast cords
Automatic Earthing : Yes

ELEQ bv
Tukseweg 130
8331 LH Steenwijk (NL)
T: +31 (0) 521 533 333
F: +31 (0) 521 533 391
www.eleq.com