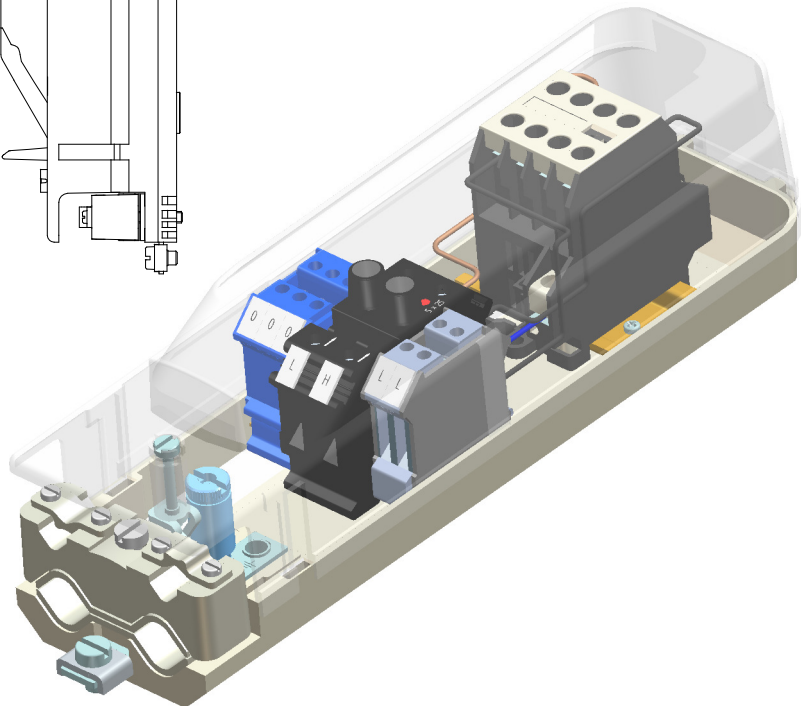
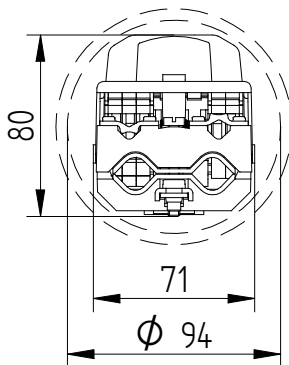
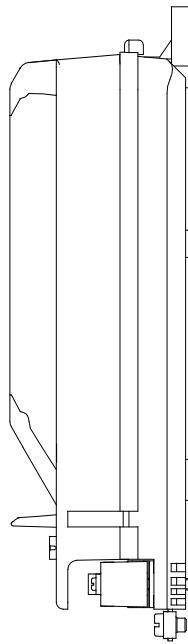
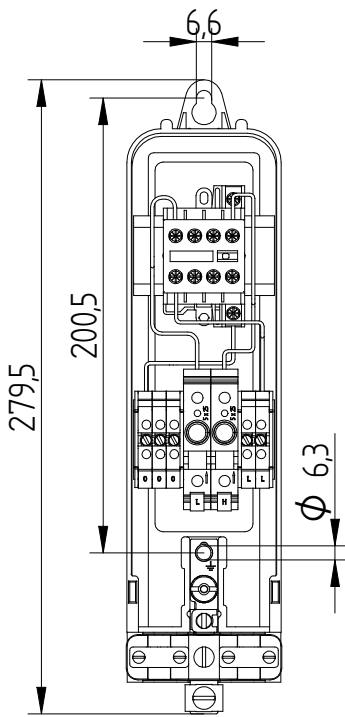


LS-94 5L6002



Specifications

Type : LS-94
Article number : 5L6002

Details

: Includes relay and wiring

Technical specifications

Minimum inside diameter : 94mm
Pull relief : Yes, max. two ground cables
23mm and 2 lightmast cords
Provided with : Relay 230 V
2x Fuse (5x25)

Packing

20 Pcs in box or 480 Pcs per pallet
2 weeks delivery period

ELEQ bv
Tukseweg 130
8331 LH Steenwijk
T: +31 (0) 521 533 333
F: +31 (0) 521 533 391
www.eleq.com