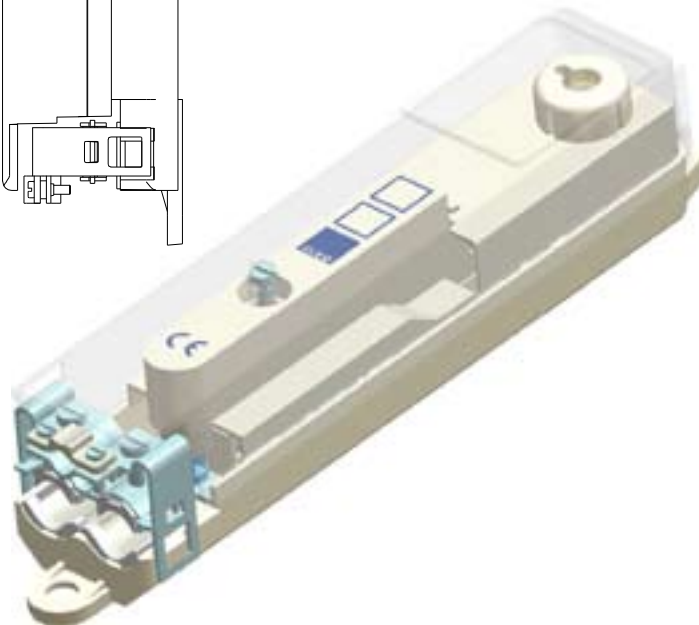
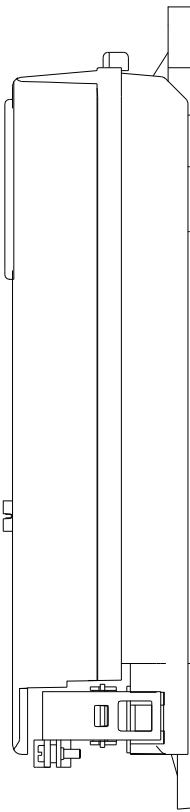
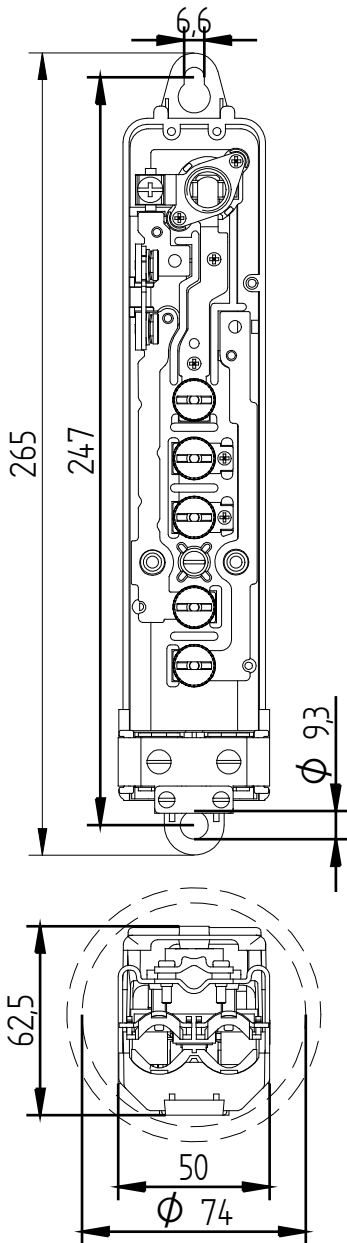
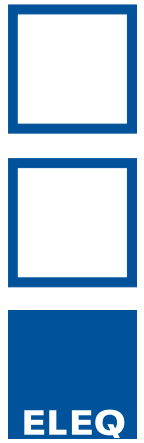


LS-74
5L5103



Specifications

Type : LS-74
Article number : 5L5103

Details

: Incl. adapter rings and fuse
: Touch-safe screening caps

Technical specifications

Minimum inside diameter : 74mm
Looping through : Yes
Suitable for : 1x E14 Fuse (D01)
Including fuse : Yes, 1x 6A
Number of terminals : 5 Pcs; 3x phase, zero, Earth
Max. wire cross section : 1x 10mm², or 2x 6mm²
Pull relief : Yes, max. two ground cables
18mm and 1 lightmast cord
Earth-neutral connection : No
Automatic Earthing : Yes
Quality mark : Kema, CE-mark

Packing

20 Pcs in a box or 480 Pcs per pallet
Deliverable from stock

Use

Suitable for very small lightpoles

ELEQ bv
Tukseweg 130
8331 LH Steenwijk (NL)
T: +31 (0) 521 533 333
F: +31 (0) 521 533 391
www.eleq.com