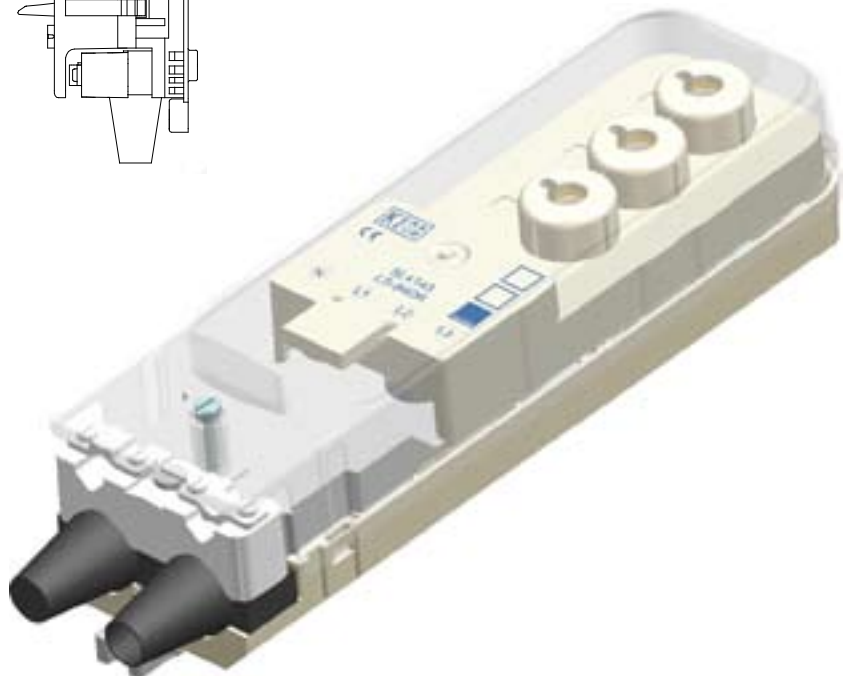
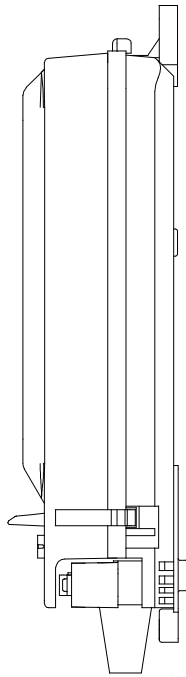
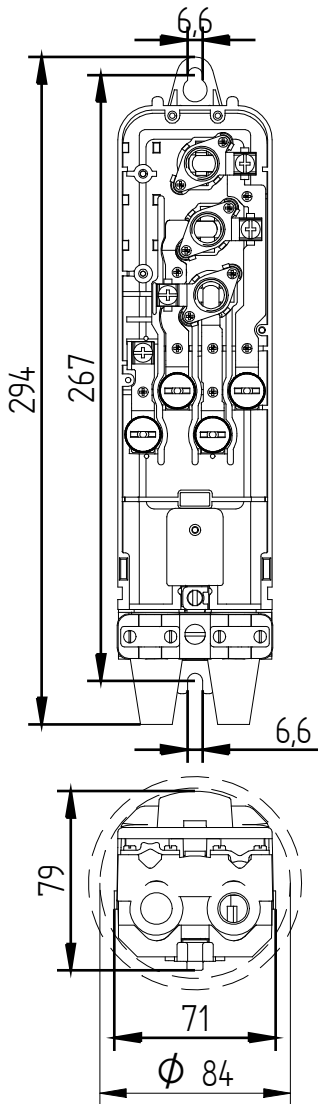
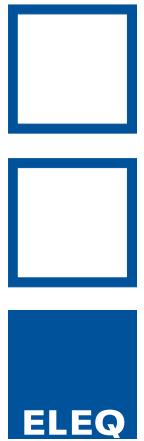


LS-84  
5L4143



### Specifications

Type : LS-84  
Article number : 5L4143

### Details

: Double insulated

### Technical specifications

Minimum inside diameter : 84mm  
Looping through : Yes  
Suitable for : 3x E14 Fuse (D01)  
Including fuse : Yes, 3x 6A  
Number of terminals : 4 Pcs; 3x phase, zero  
Max. wire cross section : 2x 16mm<sup>2</sup>  
Pull relief : Yes, max. two ground cables  
23mm and 2 lightmast cords  
Double insulated : Yes  
Quality mark : Kema, CE-mark

### Packing

20 Pcs in a box or 480 Pcs per pallet  
Deliverable from stock

### Can be combined with

5L9999A/B : Pull-relief for 3 cables

### Use

Suitable for lightpoles and stainless steel boxes

ELEQ bv  
Tukseweg 130  
8331 LH Steenwijk (NL)  
T: +31 (0) 521 533 333  
F: +31 (0) 521 533 391  
[www.eleq.com](http://www.eleq.com)