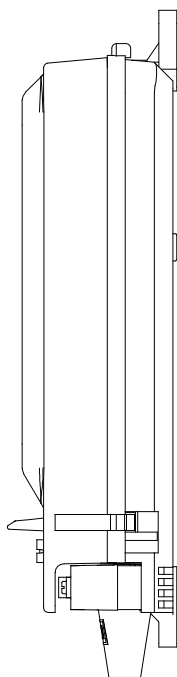
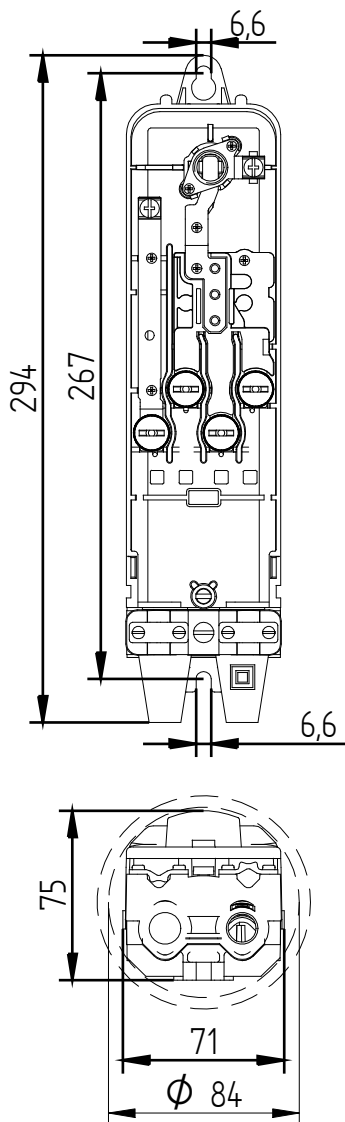


LS-84
5L4141-S



Specifications

Type : LS-84
Article number : 5L4141-S

Details

: Double insulated
: Touch-safe screening caps

Technical specifications

Minimum inside diameter : 84mm
Looping through : Yes
Suitable for : 1x E14 Fuse (D01)
Including fuse : Yes, 1x 6A
Number of terminals : 4 Pcs; 3x phase, zero
Max. wire cross section : 2x 16mm²
Pull relief : Yes, max. two ground cables
23mm and 2 lightmast cords
Double insulated : Yes
Quality mark : Kema, CE-mark

Packing

20 Pcs in a box or 480 Pcs per pallet
Deliverable from stock

Can be combined with

5L9999A/B : Pull-relief for 3 cables

Use

Suitable for lightpoles and stainless steel boxes

ELEQ bv
Tukseweg 130
8331 LH Steenwijk (NL)
T: +31 (0) 521 533 333
F: +31 (0) 521 533 391
www.eleq.com